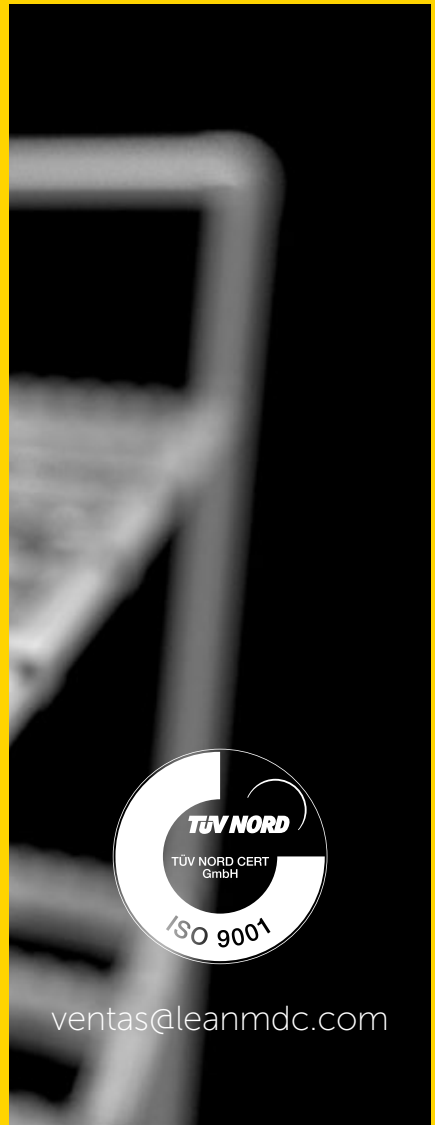
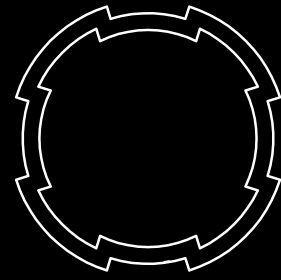


Lean MDC®

Aluminum Pipe & Joint System



www.leanmdc.com

01800 020 0100

ventas@leanmdc.com



ALUMINUM PIPE & JOINT LEAN MDC SYSTEM

El sistema de tubos y uniones es la solución más flexible para el armado de estructuras dinámicas que ayuden a la implementación de mejoras en sus procesos de manufactura y producción.

El sistema esta compuesto por una variedad de tubos, uniones y accesorios especializados, fabricados en aluminio con una gran calidad. Puede ser utilizado en una amplia gama de industrias, incluyendo aquellas en donde se requiera remover la estática o en operaciones libres de polvo.

Optimiza el uso de espacio y aumenta la productividad de sus procesos, a través de carros surtidores, estaciones de trabajo, racks de gravedad, ajustándose a las necesidades específicas de su operación.

The system of pipes and joints is the most flexible solution for the assembly of dynamic structures that help the implementation of improvements in your manufacturing and production processes.

The system is composed of a variety of pipes, joints and specialized accessories, made of high quality aluminum. It can be used in a wide range of industries, including those where static electricity removal is needed (ESD) or "dust-free" operations are required.

Optimizes the use of space and increases the productivity of your processes, through carts, work stations, gravity racks, adjusting to the specific needs of your operation.

ALUMINUM PIPE ADVANTAGES

- El sistema es compatible con el sistema de tubos y uniones de acero.
- Mejor estética con la misma capacidad y flexibilidad.
- Mayor capacidad de carga que las estructuras soldadas.
- ESD para controlar la estática eléctrica.
- Perfecto para usar en cuartos limpios.
- Amigable con el medio ambiente con alto valor de reciclaje.

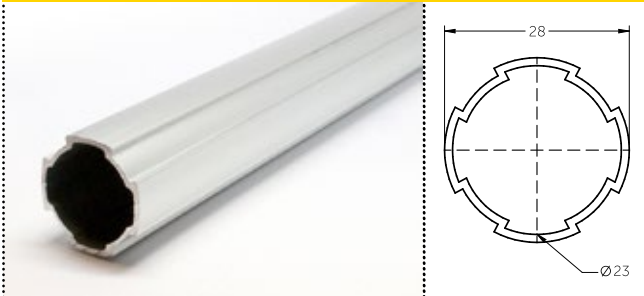
- **It is compatible with the steel pipe and joint system.**
- **Better aesthetics with the same capacity.**
- **Higher load capacity than welded structures.**
- **ESD capacity.**
- **Perfect for use in clean room.**
- **Enviromentally friendly with high recycling value.**



COMPANY WITH CERTIFIED QUALITY MANAGEMENT SYSTEM = ISO 9001:2015 =

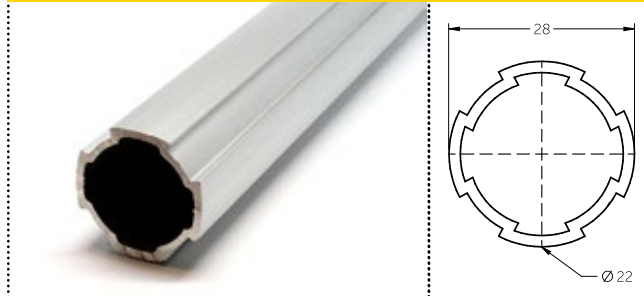
ALUMINUM PIPE

AL-1200N



Code No.	Length	Weight	Package
AL-1200N	4000 mm	0.37 kg/m	10 pcs

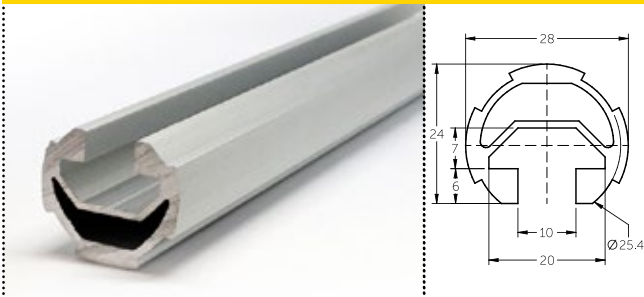
AL-1700N



Code No.	Length	Weight	Package
AL-1700N	4000 mm	0.37 kg/m	10 pcs

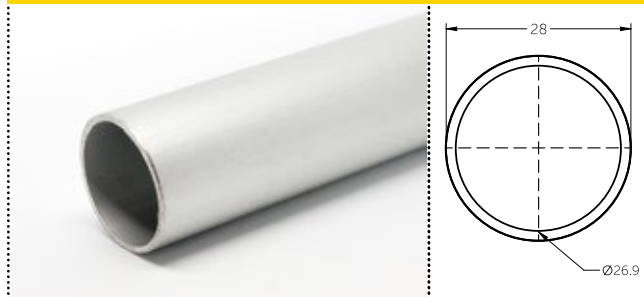
- Round pipe AL-1200N/AL-1700N with 4 interfaces for attaching connectors.

AL-1201N



Code No.	Length	Weight	Package
AL-1201N	4000 mm	0.37 kg/m	10 pcs

AL-1102N

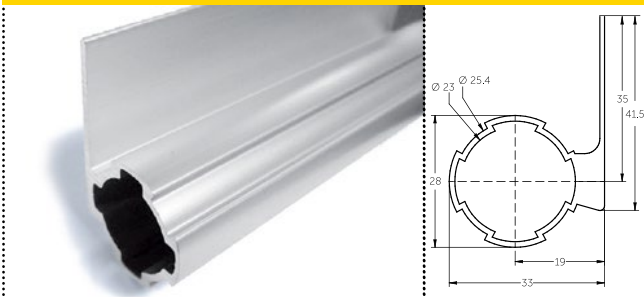


Code No.	Length	Weight	Package
AL-1102N	4000 mm	0.38 kg/m	10 pcs

- AL-1201N round tube with 10 mm slot for mounting accessories from the modular framing system and 3 interfaces for attaching connectors.

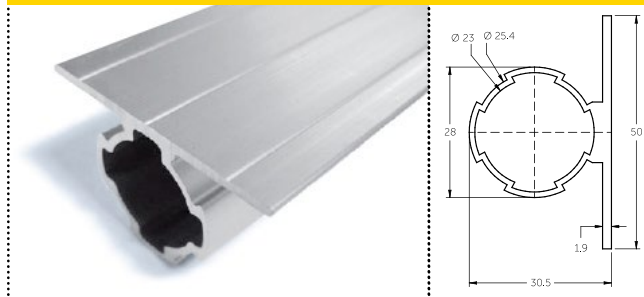
- Round 1.1 mm pipe for combining with metal joint system.

AL-4000CN



Code No.	Length	Weight	Package
AL-4000CN	4000 mm	0.37 kg/m	10 pcs

AL-4000DN



Code No.	Length	Weight	Package
AL-4000DN	4000 mm	0.37 kg/m	10 pcs

- AL-4000CN round tube with L flat face for mounting bins and 3 interfaces for attaching connectors.

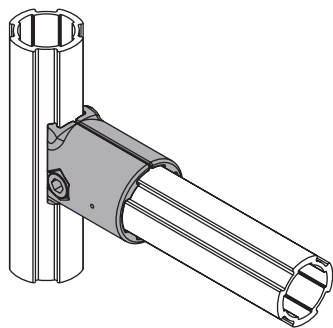
- AL-4000DN round tube with T flat face for mounting bins and 3 interfaces for attaching connectors.

UNIONES

AL-01N



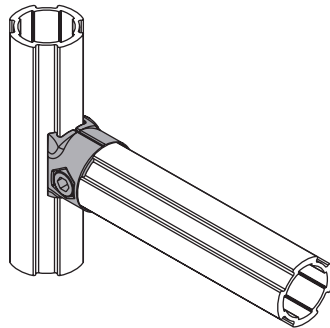
Code No.	Weight	Package
AL-01N	51g	200 pcs



AL-01AN



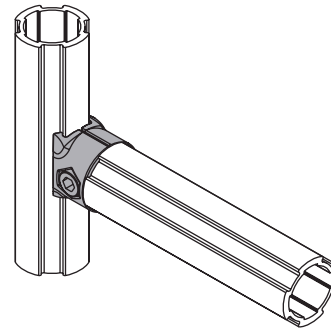
Code No.	Weight	Package
AL-01AN	51g	300 pcs



AL-01BN



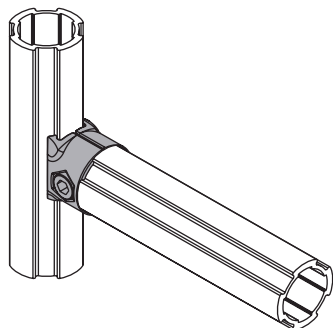
Code No.	Weight	Package
AL-01BN	52g	300 pcs



AL-01CN



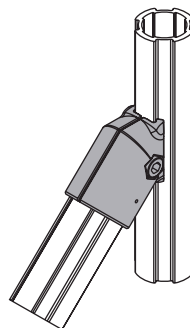
Code No.	Weight	Package
AL-01CN	48g	300 pcs



AL-02N



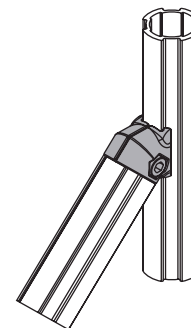
Code No.	Weight	Package
AL-02N	61g	200 pcs



AL-02AN



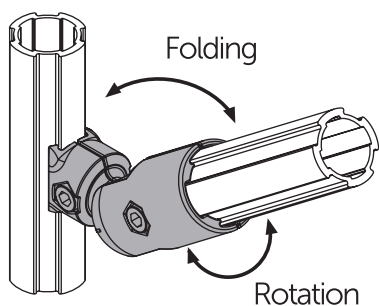
Code No.	Weight	Package
AL-02AN	55g	300 pcs



AL-03N



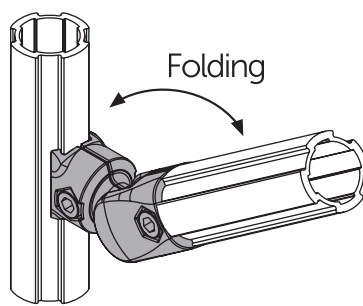
Code No.	Weigth	Package
AL-03N	127g	100 pcs



AL-03AN



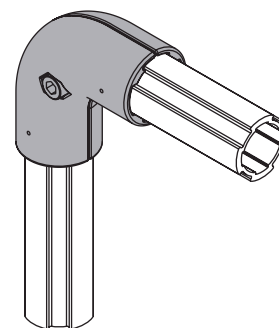
Code No.	Weigth	Package
AL-03AN	110g	150 pcs



AL-04N



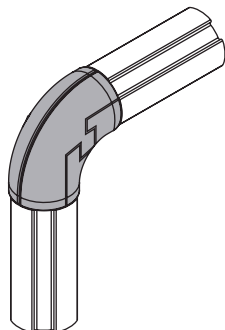
Code No.	Weigth	Package
AL-04N	96g	100 pcs



AL-04AN



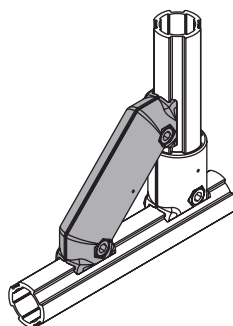
Code No.	Weigth	Package
AL-04AN	139g	100 pcs



AL-05N



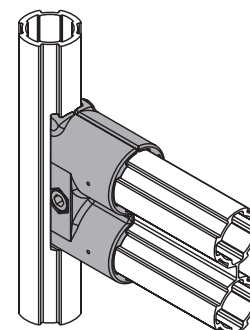
Code No.	Weigth	Package
AL-05N	123g	100 pcs



AL-06N



Code No.	Weigth	Package
AL-06N	127g	100 pcs

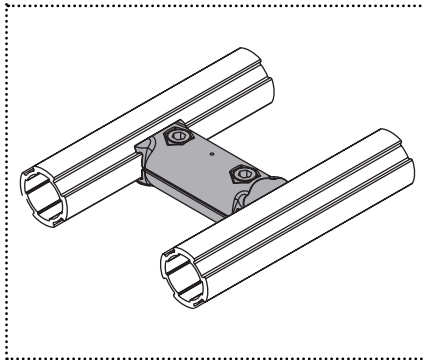


UNIONES

AL-07N



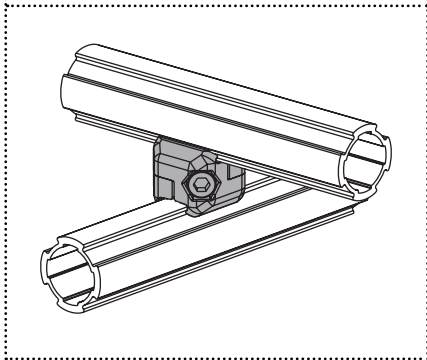
Code No.	Weigth	Package
AL-07N	112g	200 pcs



AL-08N



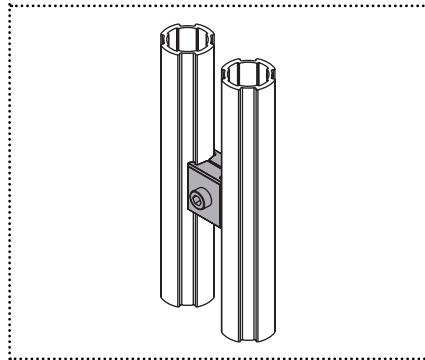
Code No.	Weigth	Package
AL-08N	37g	300 pcs



AL-09N



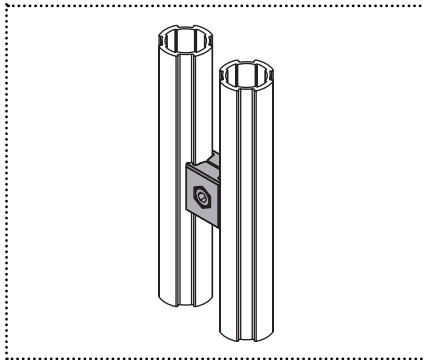
Code No.	Weigth	Package
AL-09N	24.5g	100 pcs



AL-09AN



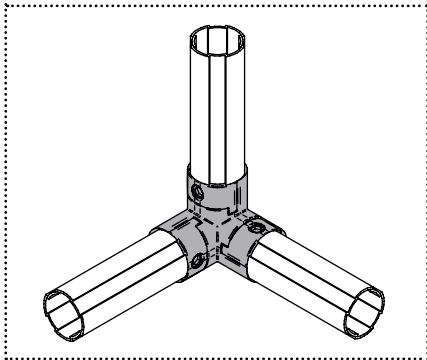
Code No.	Weigth	Package
AL-09AN	28.5g	200 pcs



AL-10N



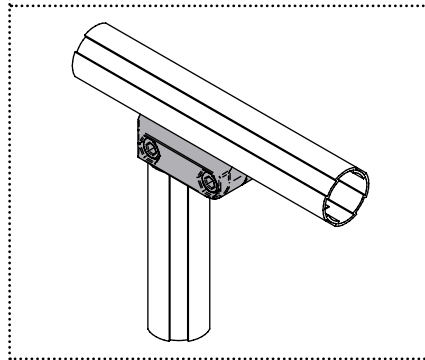
Code No.	Weigth	Package
AL-10N	226g	50 pcs



AL-11N



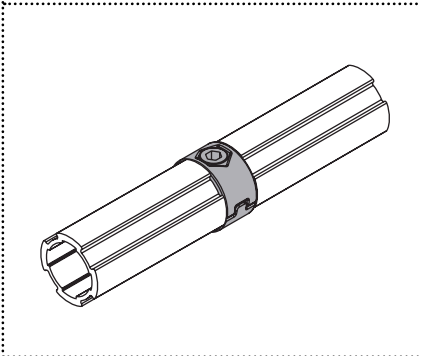
Code No.	Weigth	Package
AL-11N	82g	200 pcs



AL-12N



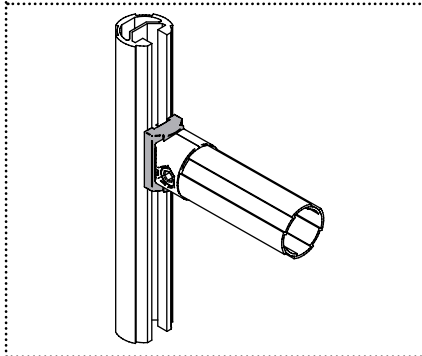
Code No.	Weigth	Package
AL-12N	113g	200 pcs



AL-13N



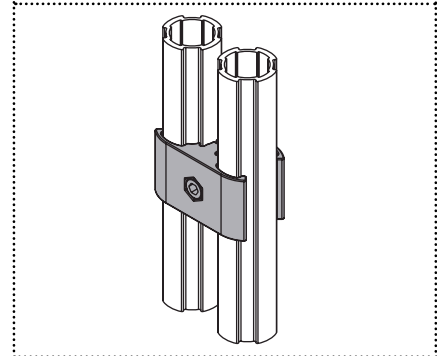
Code No.	Weigth	Package
AL-13N	20g	500 pcs



AL-14N



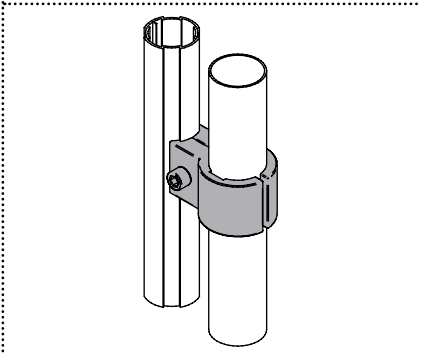
Code No.	Weigth	Package
AL-14N	65g	100 pcs



AL-15N



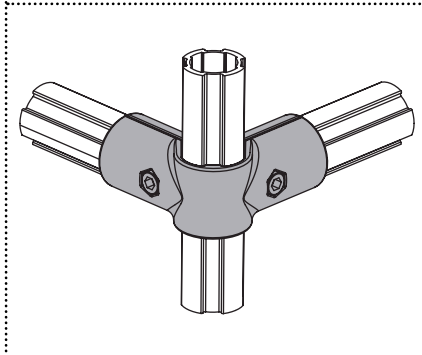
Code No.	Weigth	Package
AL-15N	68g	100 pcs



AL-16N



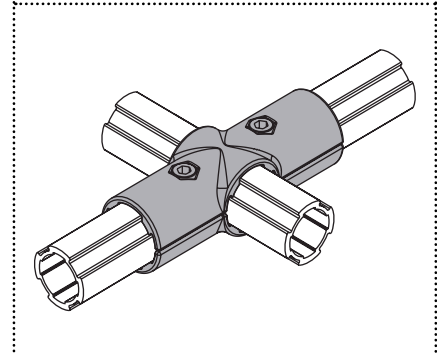
Code No.	Weigth	Package
AL-16N	78g	100 pcs

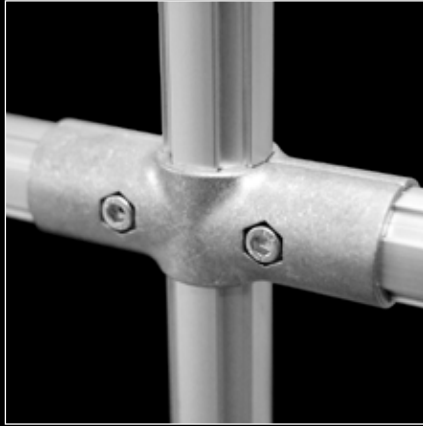
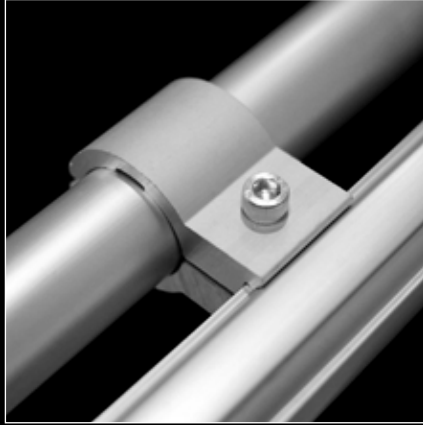
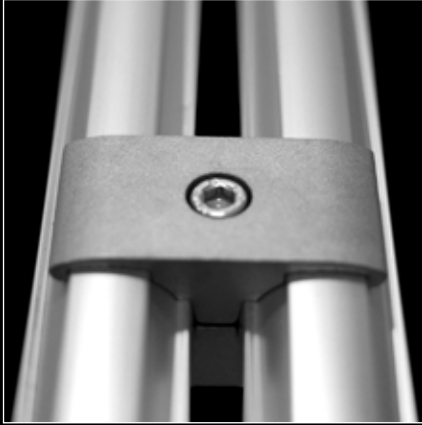
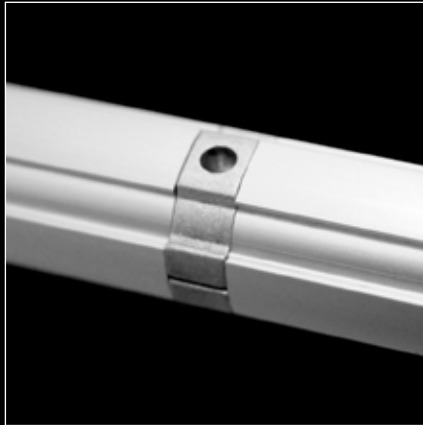
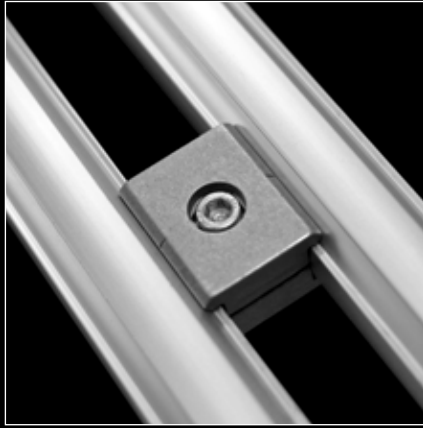
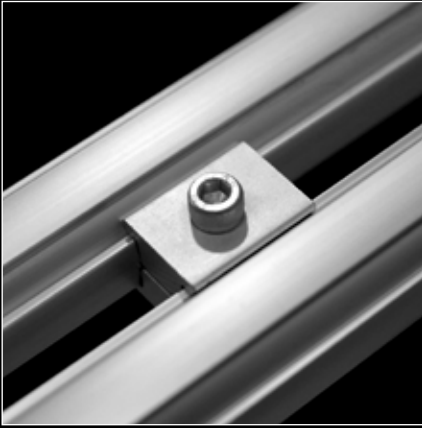


AL-17N



Code No.	Weigth	Package
AL-17N	78g	100 pcs





ACCESORIOS

AL-1205N



Code No.	Weigth	Package
AL-1205N	193g	100 pcs

AL-1205DN



Code No.	Weigth	Package
AL-1205DN	50g	300 pcs

AL-P1N



Code No.	Weigth	Package
AL-P1N	6g	1000 pcs

AL-1205BN



Code No.	Weigth	Package
AL-1205BN	183g	100 pcs

AL-1206N



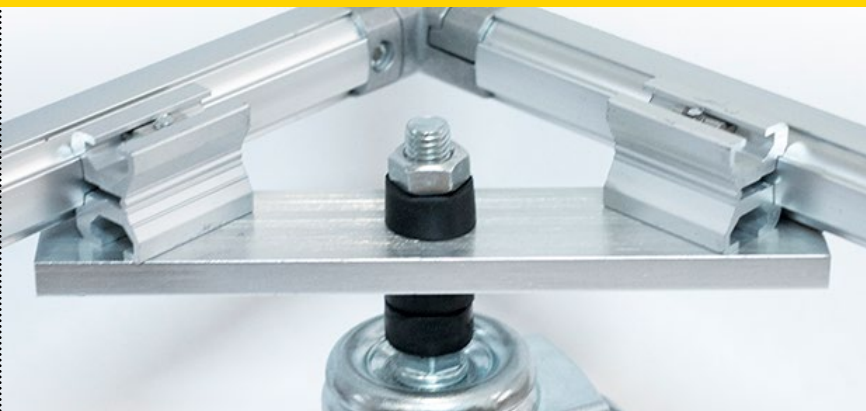
Code No.	Weigth	Package
AL-1206N	59g	100 pcs

AL-P2N



Code No.	Weigth	Package
AL-P2N	2g	1000 pcs

AL-1205CN



Code No.	Weigth	Package
AL-1205CN	269g	50 pcs

AL-P3N



Code No.	Weigth	Package
AL-P3N	2g	1000 pcs

AT-00AN



Code No.	Weigth	Package
AT-00AN	35g	100 pcs

AT-00BN



Code No.	Weigth	Package
AT-00BN	31g	100 pcs

AT-00DN



Code No.	Weigth	Package
AT-00DN	7g	500 pcs

AT-00EN



Code No.	Weigth	Package
AT-00EN	130g	50 pcs

AT-00FN



Code No.	Weigth	Package
AT-00FN	106g	100 pcs

AL-A4N



Code No.	Weigth	Package
AL-A4N	15g	500 pcs

AL-2088-3/5N



Code No.	Weigth	Package
AL-2088-3/5	277g/344g	50 pcs

AL-2090



Code No.	Weigth	Package
AL-2090N	398g	50 pcs

AL-A5N



Code No.	Weigth	Package
AL-A5N	14g	300 pcs

ACCESORIOS

AL-1200 SERIES



Code No.	Weigth	Package
AL-1200AN	21g	200 pcs
AL-1200BN	24g	200 pcs
AL-1200CN	25g	200 pcs
AL-1200DN	30g	200 pcs

Code No.	Stem	High
AL-1200AN	M10	51mm
AL-1200BN	M12	51mm
AL-1200CN	(ESD) M10	51mm
AL-1200DN	(ESD) M12	51mm

AT-007N



Code No.	Weigth	Package
AT-007N	200g	50 pcs

AL-1209AN



Code No.	Weigth	Package
AL-1209AN	51g	100 pcs

AL-1209BN



Code No.	Weigth	Package
AL-1209BN	61.5g	100 pcs

AL-1209CN



Code No.	Weigth	Package
AL-1209CN	61g	100 pcs

AL-1209DN



Code No.	Weigth	Package
AL-1209DN	85g	100 pcs

Code No.	Diameter	High	Stem
AL-1209AN	40 mm	50 mm	M10
AL-1209BN	50 mm	80 mm	M10
AL-1209CN	40 mm	80 mm	M10
AL-1209DN	60 mm	80 mm	M12

MT-1012LN



Code No.	Weigth	Package
MT-1012LN	9g	50 pcs

MT-1012MN



Code No.	Weigth	Package
MT-1012MN	15g	50 pcs

AC-3829RBN



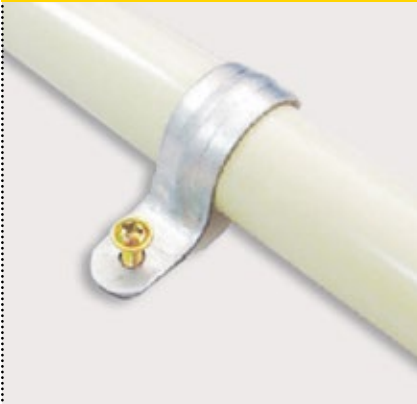
Code No.	Weigth	Package
AC-3829RBN	26g	500 pcs

MT-5120N



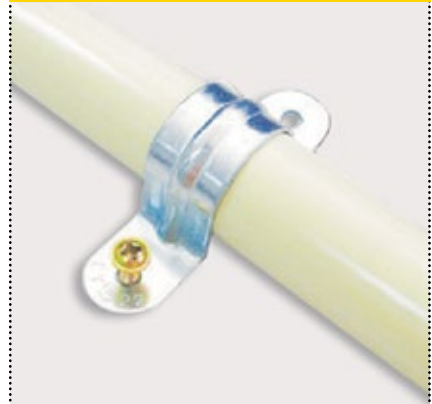
Code No.	Weigth	Package
MT-5120N	8g	1000 pcs

MT-5111N



Code No.	Weigth	Package
MT-5111N	20g	400 pcs

MT-5112N



Code No.	Weigth	Package
MT-5112N	26g	200 pcs

BS-201



Code No.	Weigth	Package
BS-201	612g	12 pcs

BS-202



Code No.	Weigth	Package
BS-202	606g	12 pcs

BS-203



Code No.	Weigth	Package
BS-203	350g	12 pcs

MICAS

NP-0120



Code No.	Weigth	Package
NP-0120	6g	3000 pcs

NP-0150



Code No.	Weigth	Package
NP-0150	13g	2500 pcs

NP-0180



Code No.	Weigth	Package
NP-0180	20g	1500 pcs

NP-0215



Code No.	Weigth	Package
NP-0215	48g	700 pcs

NP-0220



Code No.	Weigth	Package
NP-0220	28g	1000 pcs

NP-0300



Code No.	Weigth	Package
NP-0300	47g	600 pcs

NP-0307



Code No.	Weigth	Package
NP-0307	94g	300 pcs

NP-0430



Code No.	Weigth	Package
NP-0430	170g	100 pcs

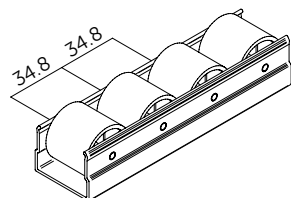
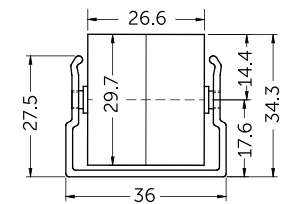
PJ-138B



Code No.	Weigth	Package
PJ-138B	6g	1500 pcs

ROLLER 36mm

PL-7001BK, PL-7001WH, PL-7001ED



PL-7001BK



Code No.	Weigth	Length
PL-7001BK	1,180 g/m	4 mts

PL-7001WH



Code No.	Weigth	Length
PL-7001WH	1,180 g/m	4 mts

PL-7001ED



⚡ ESD

Code No.	Weigth	Length
PL-7001ED	1,180 g/m	4 mts

MT-7001A



Code No.	Weigth	Package
MT-7001A	20g	120 pcs

MT-7002B



Code No.	Weigth	Package
MT-7002B	34g	200 pcs

MT-7002BW



Code No.	Weigth	Package
MT-7002BW	14g	120 pcs

MT-7003C



Code No.	Weigth	Package
MT-7003C	18g	120 pcs

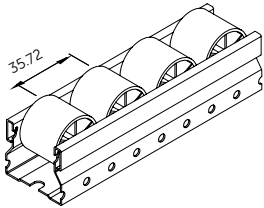
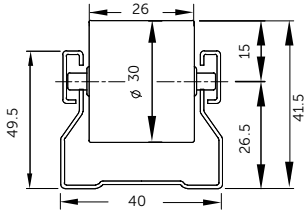
MT-7004D



Code No.	Weigth	Package
MT-7004D	52g	120 pcs

ROLLER 40mm

PL-3111, PL-3111ED, PL-3114BK,
PL-3111YL, GP-4014WH



PL-3111



Code No.	Weigth	Length
PL-3111	1,125 g/m	4 mts

PL-3111BK



Code No.	Weigth	Length
PL-3111BK	1,248 g/m	4 mts

PL-3111ED



⚡ ESD

Code No.	Weigth	Length
PL-3111ED	1,180 g/m	4 mts

PL-3111YL



Code No.	Weigth	Length
PL-3111YL	1,248 g/m	4 mts

GP-4014WH



Code No.	Weigth	Length
GP-4014WH	1,102 g/m	4 mts

MT-5140A



Code No.	Weigth	Package
MT-5140A	130g	80 pcs

MT-5140B



Code No.	Weigth	Package
MT-5140B	167g	60 pcs

MT-5140BP



Code No.	Weigth	Package
MT-5140BP	184g	50 pcs

MT-5140BS

Code No.	Weigth	Package
MT-5140BS	243g	30 pcs

MT-5140BW

Code No.	Weigth	Package
MT-5140BW	157g	70 pcs

MT-5140C

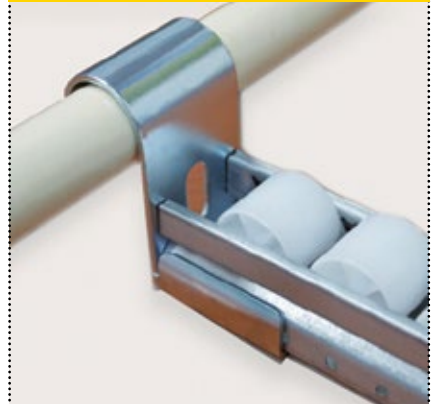
Code No.	Weigth	Package
MT-5140C	125g	100 pcs

MT-5140D

Code No.	Weigth	Package
MT-5140D	190g	40 pcs

MT-5140DA

Code No.	Weigth	Package
MT-5140DA	243g	30 pcs

MT-4010BR

Code No.	Weigth	Package
MT-4010BR	160g	70 pcs

MT-4010E

Code No.	Weigth	Package
MT-4010E	180g	49 pcs

MT-4010X

Code No.	Weigth	Package
MT-4010X	150g	80 pcs

MT-PLAL

Code No.	Weigth	Package
MT-PLAL	246g	40 pcs

MT-PLAR



Code No.	Weigth	Package
MT-PLAR	246g	40 pcs

MT-PLBL



Code No.	Weigth	Package
MT-PLBL	246g	40 pcs

MT-PLBR



Code No.	Weigth	Package
MT-PLBR	243g	30 pcs

MT-4012A



Code No.	Weigth	Package
MT-4012A	163g	60 pcs

MT-4012B



Code No.	Weigth	Package
MT-4012B	195g	40 pcs

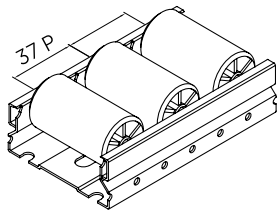
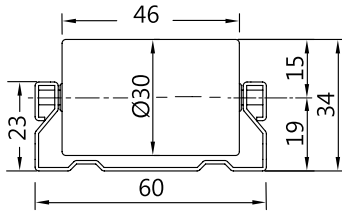
MT-PLHN



Code No.	Weigth	Package
MT-PLHN	243g	30 pcs

ROLLER 60mm

PL-6014WH, PL-6014WS y PL-6014ED



PL-6014WH



Code No.	Weigth	Length
PL-6014WH	1,250 g/m	4 mts

PL-6014WS



Code No.	Weigth	Length
PL-6014WS	1,293 g/m	4 mts

PL-6014ED



Code No.	Weigth	Length
PL-6014ED	1,298 g/m	4 mts

MT-5060A



Code No.	Weigth	Package
MT-5060A	138g	60 pcs

MT-5060B



Code No.	Weigth	Package
MT-5060B	176g	50 pcs

MT-5060C



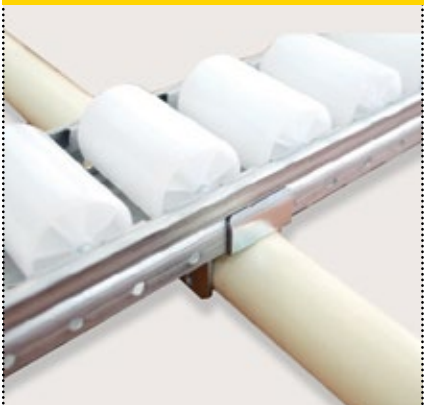
Code No.	Weigth	Package
MT-5060C	163g	60 pcs

MT-5060D



Code No.	Weigth	Package
MT-5060D	207g	30 pcs

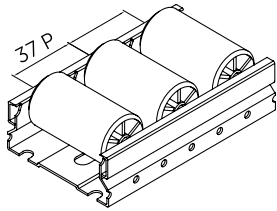
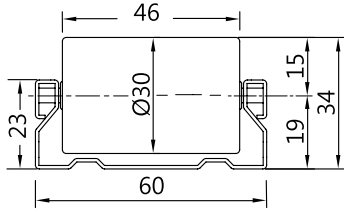
MT-6010E



Code No.	Weigth	Package
MT-6010E	64g	120 pcs

ROLLER 73mm

PL-7314WH, PL-7314WS, PL-7314ED y PL-7314EL



PL-7314WH



Code No.	Weigth	Length
PL-7314WH	1,943 g/m	4 mts

PL-7314WS



Code No.	Weigth	Length
PL-7314WS	1,910 g/m	4 mts

PL-7314ED



Code No.	Weigth	Length
PL-7314ED	1,943 g/m	4 mts

PL-7314EL



Code No.	Weigth	Length
PL-7314EL	2,070 g/m	4 mts

MT-5073A



Code No.	Weigth	Package
MT-5073A	198g	40 pcs

MT-5073B



Code No.	Weigth	Package
MT-5073B	250g	30 pcs

MT-5073C



Code No.	Weigth	Package
MT-5073C	204g	40 pcs

MT-5073E



Code No.	Weigth	Package
MT-5073E	76g	100 pcs

MT-5073X



Code No.	Weigth	Package
MT-5073X	210g	50 pcs

MT-7312A



Code No.	Weigth	Package
MT-7312A	273g	40 pcs

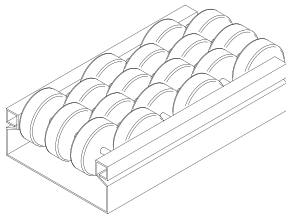
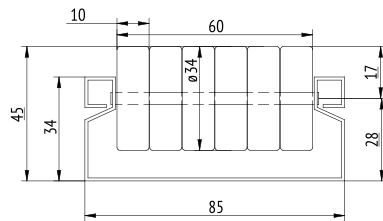
MT-7312B



Code No.	Weigth	Package
MT-7312B	360g	30 pcs

ROLLER 85mm

PL-8500N



PL-8500N



Code No.	Weigth	Length
PL-8500N	1,800 g/m	4 mts

MT-8500AN



Code No.	Weigth	Package
MT-8500AN	18g	70 pcs

MT-8500DAN



Code No.	Weigth	Package
MT-8500DAN	30g	34 pcs

MT-8500BN



Code No.	Weigth	Package
MT-8500BN	20g	50 pcs

MT-8500BWN
















Code No.	Weigth	Package
MT-8500BWN	19g	80 pcs

MT-8500DN










Code No.	Weigth	Package
MT-8500DN	16g	80 pcs








RUEDA CON TORNILLO PARA CARGAS LIVIANAS

ARTÍCULO	CÓDIGO DEL PRODUCTO	TIPO	 pulgadas (mm)	A pulgadas	 pulgadas (mm)	 mm	 mm	 kg	PESO kg	CANTIDAD POR CAJA
	CT-702S	Giratoria	2"	1/2	20	44	72	35	0.16	160
	CT-703S		3"	5/8	32	73	108	100	0.69	32
	CT-704S		4"	5/8	32	89	133	105	0.79	24
	CT-702B	Giratoria con freno	2"	1/2	20	44	72	35	0.16	160
	CT-703B		3"	5/8	32	73	108	100	0.75	32
	CT-704B		4"	5/8	32	89	133	105	0.89	24
	 CT-703SE	Giratoria	3"	5/8	32	73	108	100	0.69	32
	 CT-704SE		4"	5/8		89	133	105	0.79	24
	 CT-703BE	Giratoria con freno	3"	5/8	32	73	108	100	0.75	32
	 CT-704BE		4"	5/8		89	133	105	0.89	24

RUEDA CON EXPANSOR

ARTÍCULO	CÓDIGO DEL PRODUCTO	TIPO	 pulgadas (mm)	A pulgadas	 pulgadas (mm)	 mm	 mm	 kg (max)	PESO kg	CANTIDAD POR CAJA
	CT-703EX	Giratoria	3"	1 1/4	32	73	108	90	0.90	20
	CT-704SEX		4"			89	133	124		
	CT-703BEX	Giratoria con freno	3"	1 1/4	32	73	108	90	0.90	20
	CT-704BEX		4"			89	133	124		

RUEDA CON TORNILLO CUARTO LIMPIO

ARTÍCULO	CÓDIGO DEL PRODUCTO	TIPO	 pulgadas (mm)	A pulgadas	 pulgadas (mm)	 mm	 mm	 kg (max)	PESO kg	CANTIDAD POR CAJA
	CT-703SP	Giratoria	3"	5/8	32	78	104	56	0.62	32
	CT-704SP		4"			89	129	75	0.75	24
	CT-705SP		5"			101	156	80	0.88	20
	CT-703BP	Giratoria con freno	3"	5/8	32	78	104	56	0.68	32
	CT-704BP		4"			89	129	75	0.84	24
	CT-705BP		5"			101	156	80	0.96	20

GAVETAS



CÓDIGO	LARGO	ANCHO	ALTO
51001	14.0 cm	10.5 cm	7.6 cm
51002	17.0 cm	10.5 cm	7.6 cm
51003	18.5 cm	11.8 cm	7.6 cm
51004	23.0 cm	14.5 cm	13.5 cm
51005	27.5 cm	16.5 cm	12.5 cm
51006	27.6 cm	21.0 cm	17.5 cm
51007	37.7 cm	23.5 cm	17.8 cm
51008	30.2 cm	20.0 cm	15.7 cm
51009	50.0 cm	30.9 cm	20.0 cm
51010	37.0 cm	41.5 cm	17.7 cm
51011	37.0 cm	12.0 cm	8.5 cm
51012	60.4 cm	12.0 cm	8.5 cm
51013	59.5 cm	28.0 cm	10.5 cm
51073	43 cm	26.0 cm	18.5 cm



CONTENEDORES



510014
Caja Quebec

Largo: 50.0 cm
 Ancho: 34.0 cm
 Altura: 26.0 cm
 Cap. Carga: 15 kg.



510015
Caja Industrial No. 1

Largo: 38.0 cm
 Ancho: 24.0 cm
 Altura: 10.5 cm
 Cap. Carga: 15 kg.



510016
Caja Industrial No. 2

Largo: 48.0 cm
 Ancho: 38.0 cm
 Altura: 10.5 cm
 Cap. Carga: 10 kg.



510017
Caja Industrial No. 3

Largo: 48.0 cm
 Ancho: 38.0 cm
 Altura: 20.0 cm
 Cap. Carga: 25 kg.



510018
Caja Industrial No. 4

Largo: 76.8 cm
 Ancho: 48.0 cm
 Altura: 20.7 cm
 Cap. Carga: 25 kg.



510021
Caja Canada con Tapa

Largo: 50.0 cm
 Ancho: 30.0 cm
 Altura: 21.0 cm
 Cap. Carga: 10 kg.



510022
Caja de Bisagras 50-21 con Tapa

Largo: 50.0 cm
 Ancho: 30.0 cm
 Altura: 21.0 cm
 Cap. Carga: 30 kg.



510023
Caja de Bisagras 60-32 con Tapa

Largo: 60.0 cm
 Ancho: 40.0 cm
 Altura: 32.0 cm
 Cap. Carga: 30 kg.



510024
Caja Enfilable Calada con Asa

Largo: 78.0 cm
 Ancho: 45.0 cm
 Altura: 35.0 cm
 Cap. Carga: 60 kg.



510025
Caja Enfilable Cerrada con Asa

Largo: 78.0 cm
 Ancho: 44.0 cm
 Altura: 35.0 cm
 Cap. Carga: 70 kg.

CONTAINERS



510026 ● ●
Caja Montreal Calada 28

Largo: 60.0 cm
Ancho: 40.0 cm
Altura: 28.0 cm
Cap. Carga: 30 kg.



510027 ● ● ○
Caja Montreal Cerrada 28 con Tapa

Largo: 60.0 cm
Ancho: 40.0 cm
Altura: 28.0 cm
Cap. Carga: 35 kg.



510028 ● ●
Caja Montreal de 20 con Tapa

Largo: 60.0 cm
Ancho: 40.0 cm
Altura: 20.0 cm
Cap. Carga: 25 kg.



510029 ● ●
Caja Ottawa enfilable de 20

Largo: 62.5 cm
Ancho: 42.0 cm
Altura: 20.0 cm
Cap. Carga: 25 kg.



510030 ●
Caja Ottawa enfilable de 28

Largo: 62.5 cm
Ancho: 42.0 cm
Altura: 28.0 cm
Cap. Carga: 30 kg.



510032 ● ● ○
Caja Toronto Cerrada con Tapa

Largo: 60.0 cm
Ancho: 40.0 cm
Altura: 28.0 cm
Cap. Carga: 35 kg.



510033 ●
Contenedor México Mediano Cerrado Calado

Largo: 80.0 cm
Ancho: 80.0 cm
Altura: 60.0 cm
Cap. Carga: 250 kg.



510034 ● ● ○
Contenedor México Cerrado

Largo: 80.0 cm
Ancho: 80.0 cm
Altura: 80.0 cm
Cap. Carga: 300 kg.



510035 ● ●
Contenedor Milano Calado

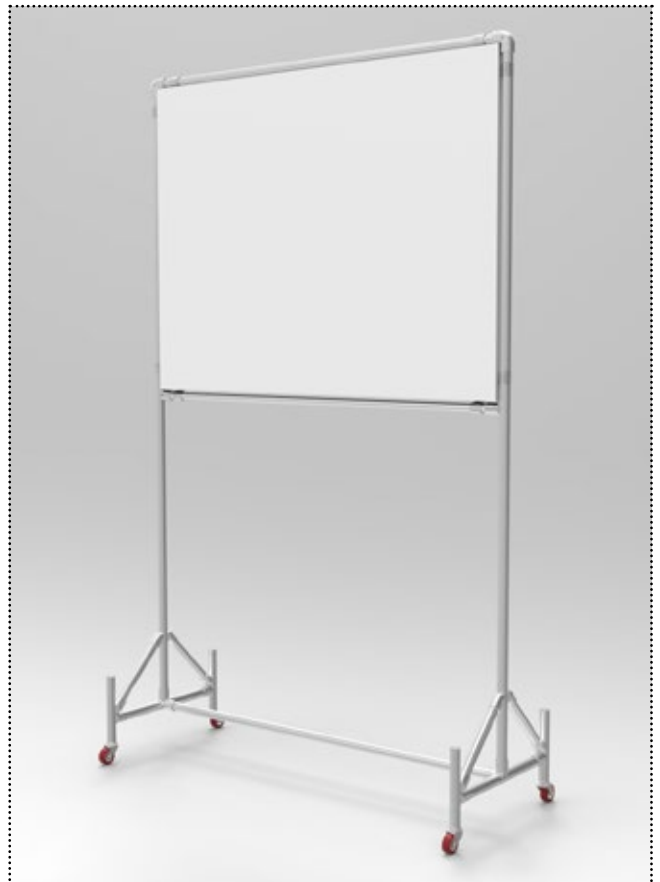
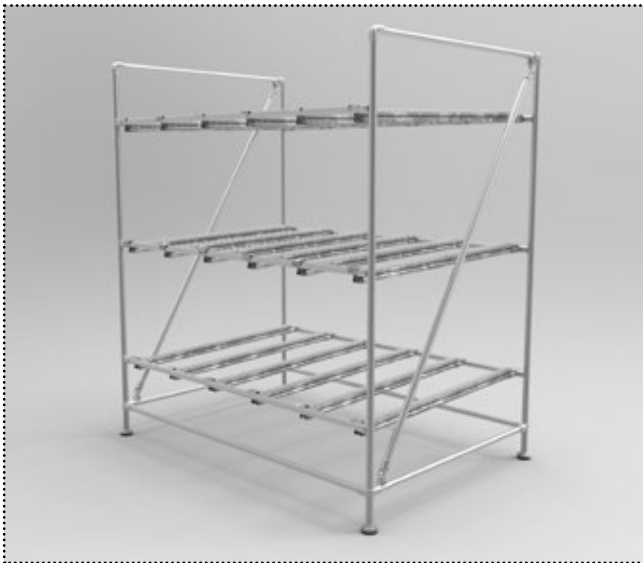
Largo: 83 cm
Ancho: 60 cm
Altura: 58.0 cm
Cap. Carga: 200 kg.



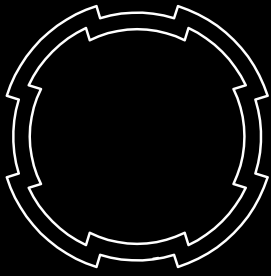
510036 ● ●
Contenedor México Calado

Largo: 80.0 cm
Ancho: 80.0 cm
Altura: 80.0 cm
Cap. Carga: 250 kg.

GALERIA







**COMPANY WITH CERTIFIED
QUALITY MANAGEMENT SYSTEM
= ISO 9001:2015 =**

www.leanmdc.com



01800 020 0100

ventas@leanmdc.com